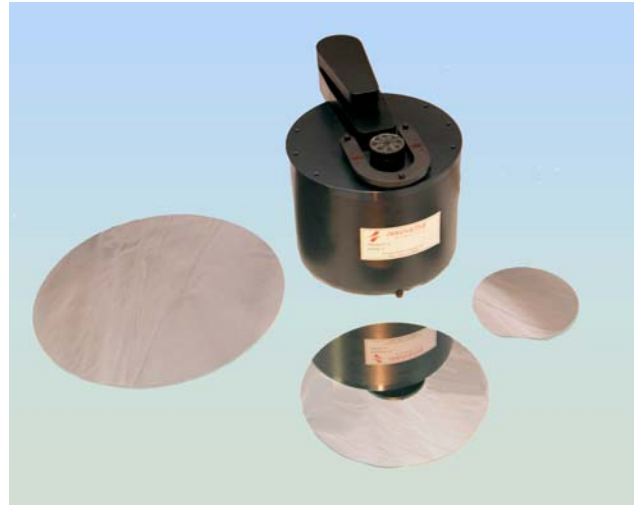


## IR1200 / IR1300 Wafer Prealigners

- ✓ Wafer Size Software Selectable
  - IR1200 – 100mm – 200mm
  - IR1300 – 200mm – 300mm
- ✓ Programmable Precision
  - High Precision Mode
  - High Throughput Mode
- ✓ Single Axis or Dual Axes (Self Centering) Mode
- ✓ Operates with Blade or Fork End Effectors
- ✓ Internal Controller
- ✓ Small Footprint
- ✓ ASCII Command Protocol
- ✓ Bottom Mounted Utility Connections



Innovative Robotics' wafer prealigners can quickly center and orient any silicon wafer from 100mm to 300mm by issuing a simple text command to the controller.

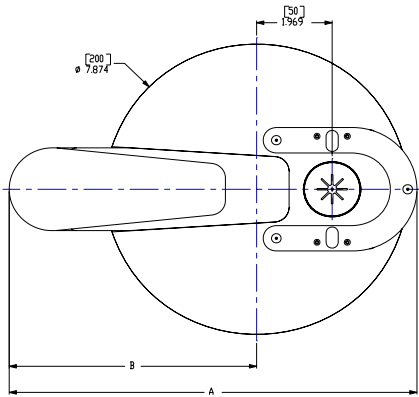
Innovative Robotics' aligners offer the flexibility of operating in either high throughput alignment mode, with robot centering, or high precision mode, using the on-board translation axis for stand-alone wafer centering. Lift pin operation is available for use with "blade" style end-effectors.

The aligner integrates seamlessly with the IR820C controller.

# IR1200 / IR1300 Wafer Prealigners

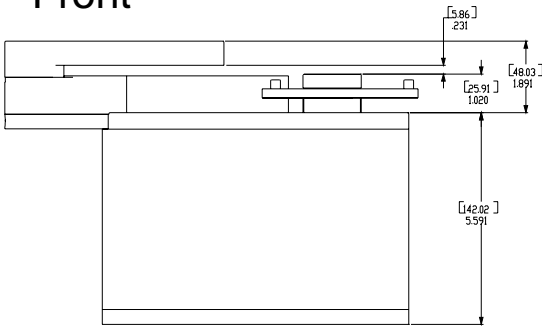
## Specifications

Top

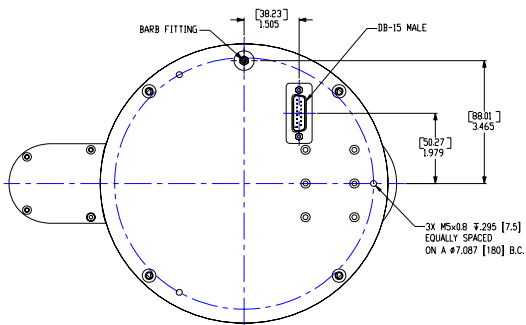


<b>Wafer Size:</b>	Software Selectable		
IR1200:	100mm, 125mm, 150mm, 200mm		
IR1300:	200mm, 300mm		
<b>Repeatability and Throughput:</b>	Centering (um)	Rotation(deg.)	Alignment Speed (sec)
Standard Mode	+/- 50	+/- 0.1	5.7 +/- 1.3 sec.
High Resolution Mode	+/- 12.5	+/- 0.025	7.4 +/- 1.9 sec.
<b>Mechanical Interface</b>	Bottommount		
<b>Utilities</b>	Electrical:	24 VDC @2.5A max	
	Vacuum:	20" Hg minimum, Connection 3/32" barbed	
<b>Communication:</b>	Standard RS232 serial interface ( Subminiature DB-15)		
<b>Control Logic</b>	ASCII command string		
<b>Weight</b>	13.4 lbs (6.1 kg)		

Front



Bottom



WAFER SIZE	DIM A
100-200mm	8.6 [219]
200-300mm	10.6 [269]

**Innovative Robotics**  
 3241 Keller street, Santa Clara, CA 95054  
 Sales: 408-200-8350 Fax: 408-200-8351  
[inquiry@innovativerobotics.com](mailto:inquiry@innovativerobotics.com)  
[www.innovativerobotics.com](http://www.innovativerobotics.com)